

# Wheel-Mounted Pullers

## 20-Ton Features:

- Floor-mount manual pump or 115V Electric Pump
- Ratcheting head assembly for height adjustment
- Single Quicklink chain assembly
- Ram adapters
- Remote operation

PUL-20 TON-PP  
(20-Ton with hand pump)

PUL-20 TON-ELPP  
(20-Ton with electric pump)

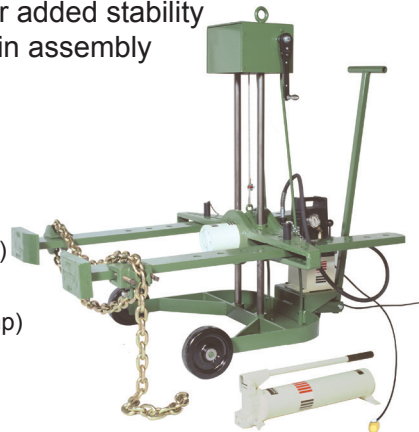


## 60-Ton Features:

- Floor-mount manual pump or 115V Electric Pump
- Ratcheting head assembly for height adjustment
- Larger operation cylinder
- Wider wheel base for added stability
- Single Quicklink chain assembly
- Ram adapters
- Remote operation

PUL-60 TON-PP  
(60-Ton with hand pump)

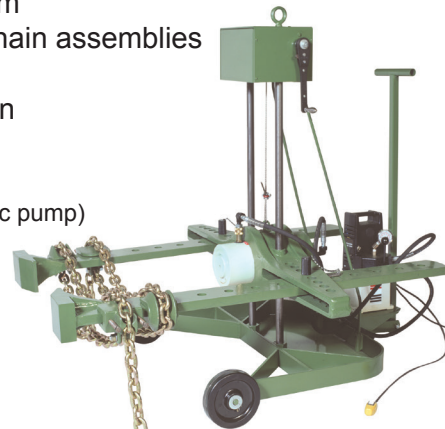
PUL-60 TON-ELPP  
(60-Ton with electric pump)



## 100-Ton Features:

- Maximum pulling force
- 115V Electric Pump with remote control (standard)
- Double acting ram
- Dual Quicklink chain assemblies
- Ram adapters
- Remote operation

PUL-100 TON-PP  
(100-Ton with electric pump)



## Parts:

Industrial Pulley Puller stocks replacement parts for all models. Proprietary castings, rams and arms are in-stock for quick delivery to minimize downtime. Pump conversions and ram adapter kits are available to make your existing Puller more versatile and easier to use.

Visit [www.pulleypuller.com](http://www.pulleypuller.com) or call 888-443-2288.

- Quicklink Chains and Castings
- Hydraulic Hand and Electric Pumps
- 20, 60 and 100-Ton Rams
- Ram Adapter Sets
- Replacement 20, 60 and 100-Ton Arms

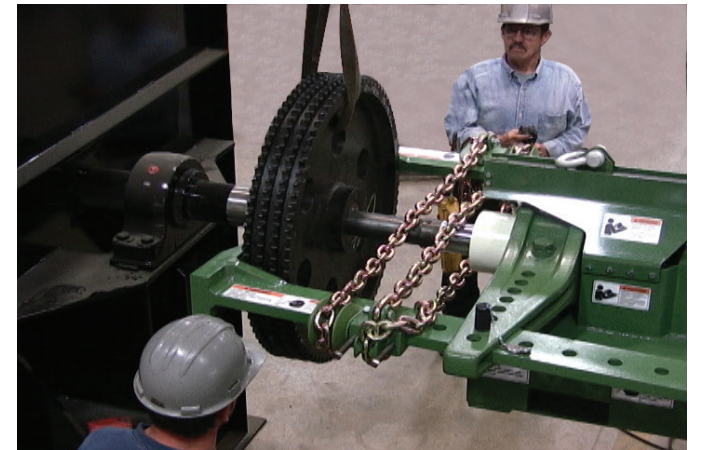
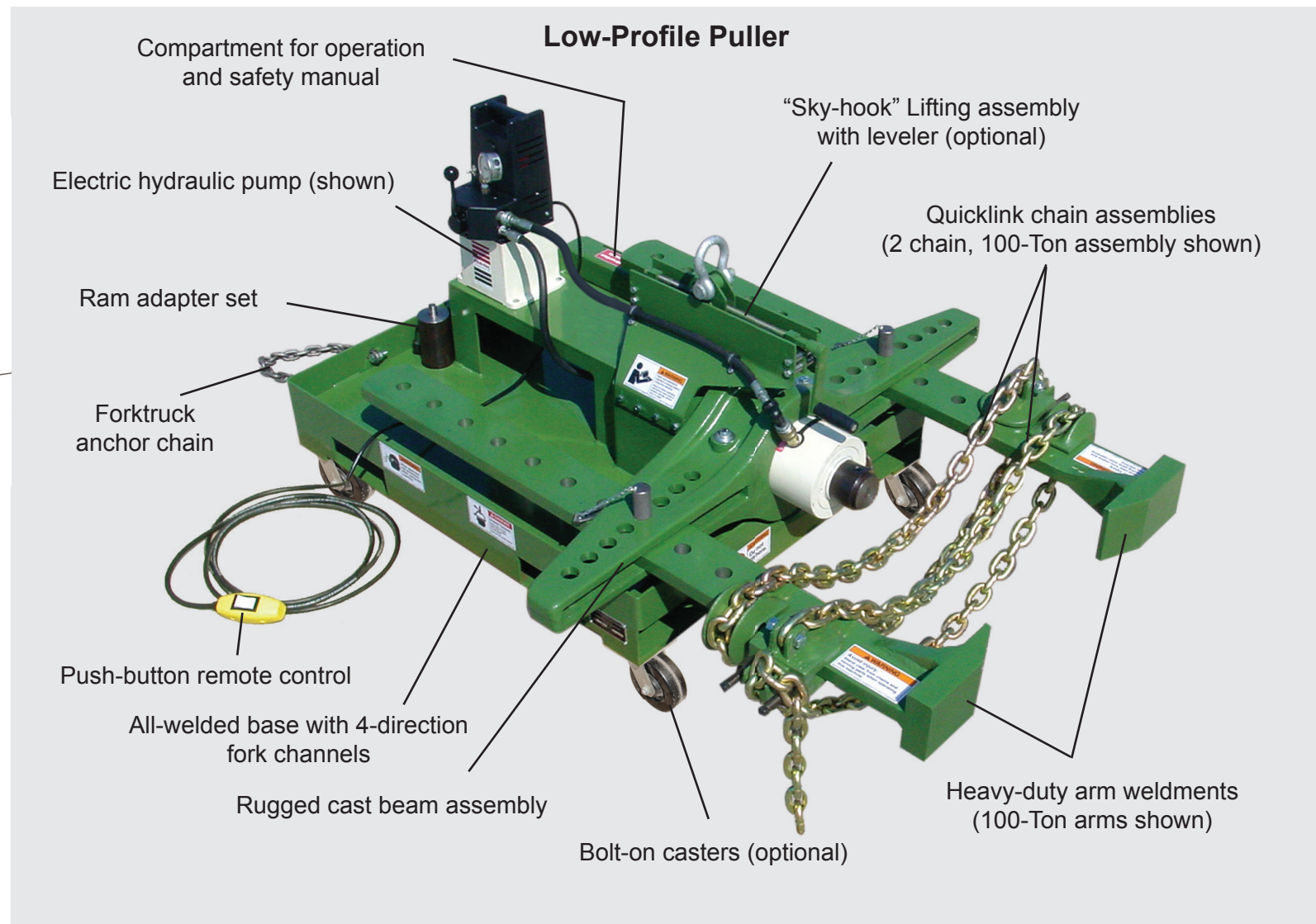
## Low-Profile Features:

- Forktruck base
- 115V Electric Pump with remote control (standard)
- 20, 60 or 100-Ton units
- Quicklink chain assemblies (Two chains 100-Ton)
- Ram adapters
- Remote operation
- Lifting assembly with leveler (optional)
- Bolt-on casters (optional)
- Anchor chains

PUL-20 TON-LPE (20-Ton Low-Profile electric)

PUL-60 TON-LPE (60-Ton Low-Profile electric)

PUL-100 TON-LPE (100-Ton Low-Profile electric)



Ram adapter set



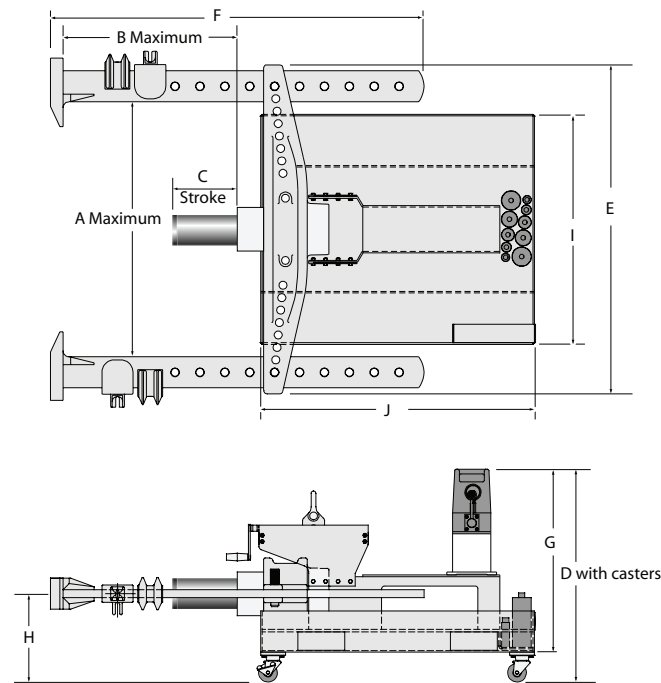
Hoist attachment



Forktruck transport

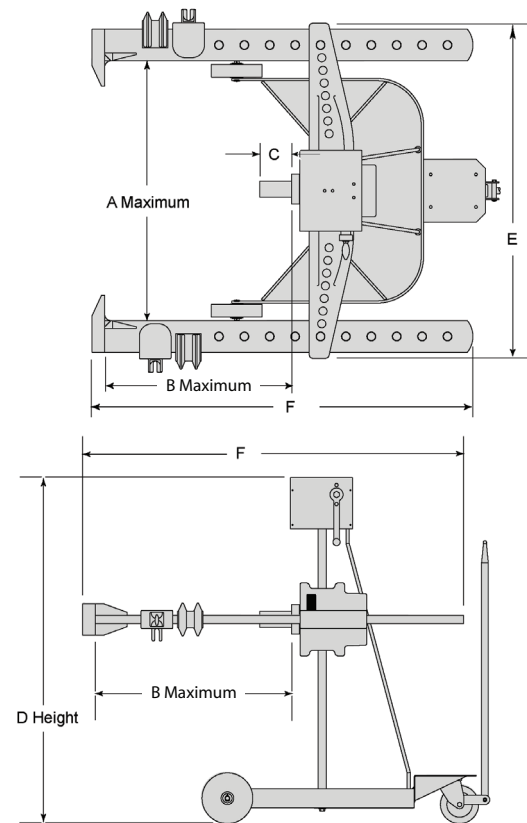
## Puller Specifications

### Low-Profile Pullers



	20-Ton	60-Ton	100-Ton
A	30" (762mm)	35" (889mm)	41" (1042mm)
B	40" (1016mm)	45" (1143mm)	43" (1093mm)
C	5.0" (127mm)	6.0" (153mm)	7.1" (181mm)
D	35" (889mm)	35" (889mm)	35" (889mm)
E	40" (1016mm)	47" (1194mm)	53" (1347mm)
F	48" (1220mm)	60" (1524mm)	60" (1524mm)
G	30" (762mm)	30" (762mm)	30" (762mm)
H	15" (381mm)	15" (381mm)	15" (381mm)
I	37" (940mm)	37" (940mm)	37" (940mm)
J	44" (1118mm)	44" (1118mm)	44" (1118mm)
Total Weight	871 lbs. (395 kg)	1,127 lbs. (511 kg)	1,335 lbs. (605 kg)

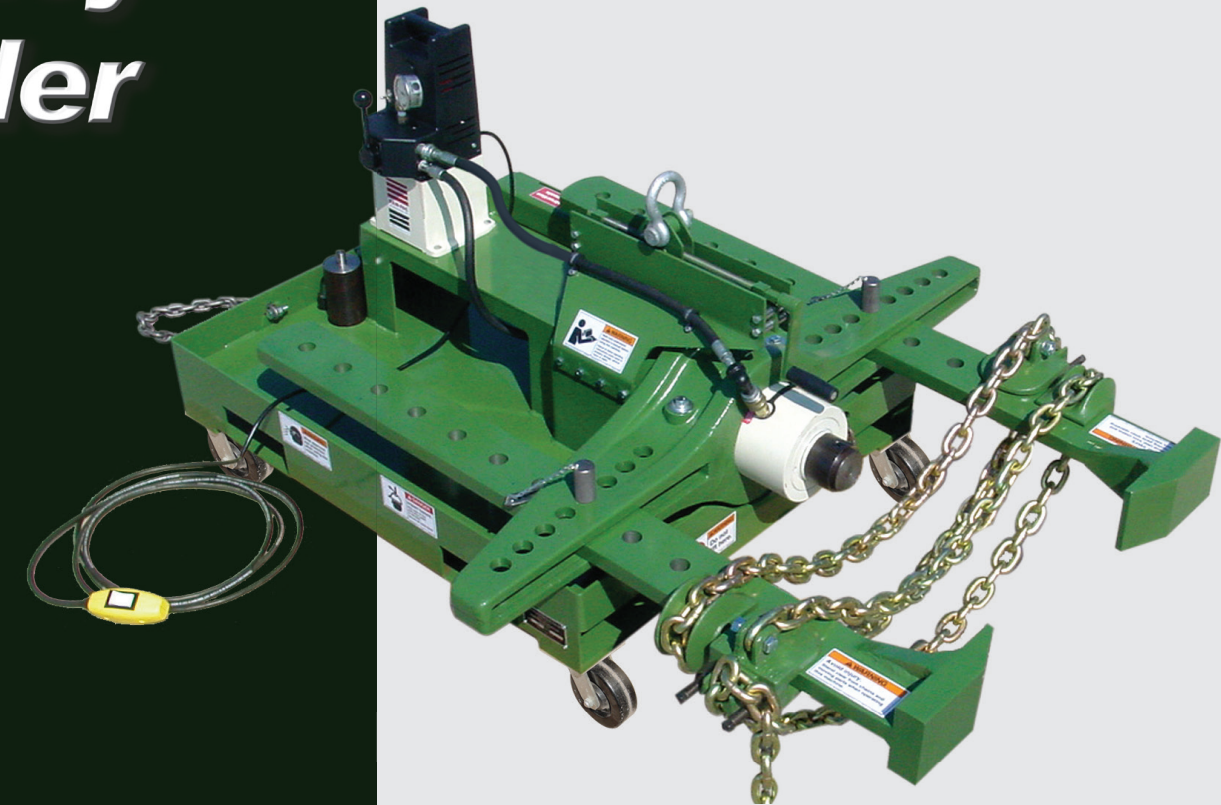
### Wheel-Mounted Pullers



	20-Ton	60-Ton	100-Ton
A	30" (762mm)	35" (889mm)	41" (1042mm)
B	40" (1016mm)	45" (1143mm)	43" (1093mm)
C	5.0" (127mm)	6.0" (153mm)	7.1" (181mm)
D	42" (1067mm)	48" (1219mm)	48" (1219mm)
E	40" (1016mm)	60" (1524mm)	60" (1524mm)
F	48" (1220mm)	60" (1524mm)	60" (1524mm)
Total Weight	460 lbs. (209 kg)	620 lbs. (372 kg)	1060 lbs. (481 kg)

# Industrial Pulley Puller

## Portable Hydraulic Pullers For Maintenance Solutions



Electric Motor Repair

Steel Mill Facilities

Millwright Field Work

Paper Rolling Plants

Railroad Maintenance

Amusement Parks

Shipyards Repair



**Industrial Pulley Puller**

INDUSTRIAL PULLEY PULLER  
2670 Newport Rd NE  
Iowa City, IA 52240

Toll Free (888) 443-2288  
Local (319) 447-2245  
Fax: (888) 443-5088



These credit cards accepted:



or company purchase order

www.pulleypuller.com